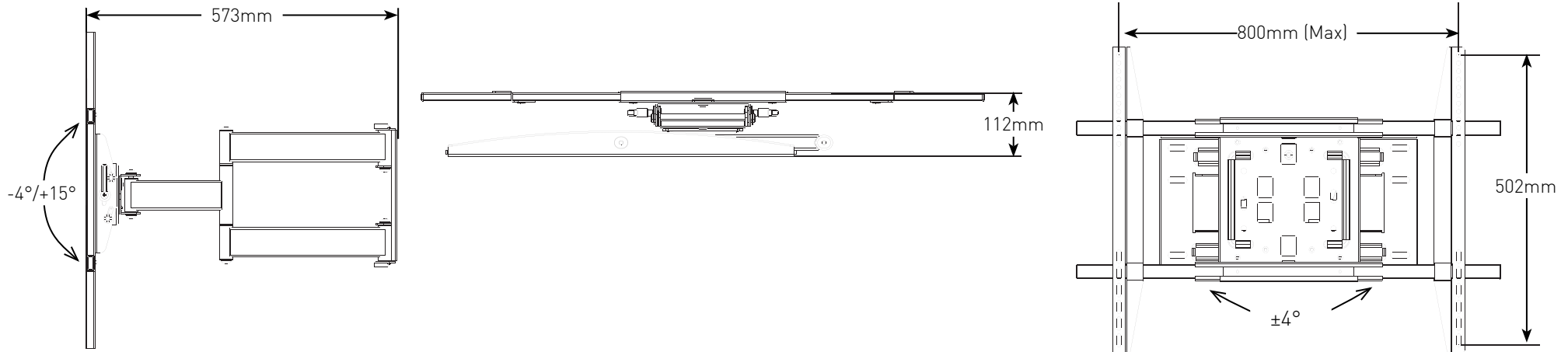
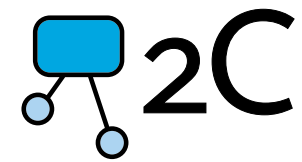


# Specifications for 2C Panel IT: 2C818



## Features:

- Fits most 32" - 61" flat panel display.
- VESA Compliance (All in mm): 200 x 300(min), 200 x 400, 200 x 600, 200 x 800, 400 x 400, 400 x 600, 400 x 800, 500 x 800 (max)
- Tilt angle: -5°/ +15°
- Swivel angle:  $\pm 4^\circ$
- Integrated cable management
- Mounting and installation hardware supplied
- Pre Assembled

Product Code	Color	Maximum Weight Capacity (Kg)	Packaging dimensions W x D x H (mm)	Gross Weight (Kg)
2C818	Black	68.0 Kg	830 x 325 x 100	13.0